

Rittal – The System.

Faster – better – everywhere.

Digital Brochure

ENCLOSURES

POWER DISTRIBUTION

CLIMATE CONTROL

IT INFRASTRUCTURE

SOFTWARE & SERVICES



Rittal – The System.

Faster – better – everywhere.



System Accessories

Base/Plinth

Flex-Block Base/Plinth System	424
TS Base/Plinth	426
Base/Plinth	433

Base

Base	435
------------	-----

Walls

Sidewalls	450
Partition Walls	453
Interconnect Kit	458

Baying Systems

Baying	460
--------------	-----

Doors/Locks

Door Models	467
Expansion Accessories for TS Modular Front Design	469
Viewing Windows/Operating Panels	473
Lock Systems	478
Hinges	492
Door, External/Internal	493

Roof/Wall Mounting

Roof	499
Wall Mounting	503

Interior Fittings

Mounting Plates	507
Rail Systems	514
Assembly Components	533
Component Shelves	540
System Lights	545
EMC	551
Interior Fittings for Areas at Risk of Earthquake	554
Grounding	555

Cable Routing

Cable Entry	561
Flange Plates	564
Cable Gland	568
Cable Gland	569
Cable Management	572
Cable Routing 19"	582

19" Installation System

Pivoting Frame	587
Accessories for Data Rack	591
Profile Rails	592
Slide Rails	596
19" Fittings	598
Patch Panels	603
Splicing Boxes	604

Human/Machine Interface

Handles	605
External Mounting Accessories	607
Front Fittings	608
Keyboards, Supports and Drawers	610
Interfaces	617
Signal Pillars	619

Technical Information

RittalXpress	622
CE/Grounding/HD/Model Numbers	623
Protection Categories	624
NEMA	625
Approvals/Equipment Grounding Conductor	627
Coating/Spray Finish	628



Expansion accessories for TS modular front design

Modular front design

for TS 8 baying system

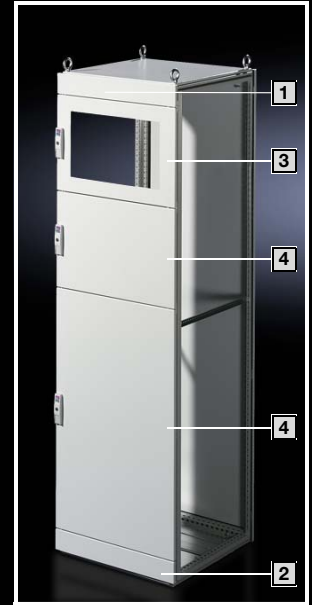
(see page 64)

Suitable for 400, 600 and 800 mm wide TS enclosures instead of a door or rear wall.

The partial doors with and without viewing window incl. cross members can be combined in any way you choose. A front trim panel is required at the top and bottom.

The example configuration on the right shows you what you need for your individual front design:

- 1 Front trim panel, top
- 2 Front trim panel, bottom
- 3 Partial door with viewing window
- 4 Partial door



Partial doors

for TS

The door catch may be optionally located on the right or left. The partial door can be fastened to the TS enclosure without drilling. Monitor frame 2305.000 can be installed in partial doors without a viewing window (height 600 – 1000 mm). Standard double-bit lock insert may be exchanged for a type F lock insert, and for a comfort handle in systems over 600 mm high.

Material:

- Partial door: Carbon steel, 2 mm
- Viewing window: 3 mm single pane safety glass

Surface finish:

- Textured paint

Color:

- RAL 7035

Supply includes:

- Cross member, hinges and lock components
- Assembly components

! Also required:

- Front trim panels, top, see page 470 or Trim panel, hinged at the top, see page 471
- Front trim panels, bottom, see page 471

+ Accessories:

- Monitor frame 2305.000, see page 476
- Lock inserts, type F, see page 488
- Comfort handle, see page 482
- Perforated mounting strips, see page 470

Technical details:

Available on the Internet

Protection category to IEC 60 529:

- IP 54, for complete enclosure

For enclosure width 16" (400 mm)

Height inches (mm)	With viewing window	Packs of	Model No.
6 (150)	–	1 pc(s).	9672.141
8 (200)	–	1 pc(s).	9672.142
12 (300)	–	1 pc(s).	9672.143
16 (400)	–	1 pc(s).	9672.144
24 (600)	–	1 pc(s).	9672.146
32 (800)	–	1 pc(s).	9672.148
39 (1000)	–	1 pc(s).	9672.140
63 (1600)	–	1 pc(s).	9672.156
71 (1800)	–	1 pc(s).	9672.158
79 (2000)	–	1 pc(s).	9672.150

For enclosure width 24" (600 mm)

Height inches (mm)	With viewing window	Packs of	Model No.
6 (150)	–	1 pc(s).	9672.161
8 (200)	–	1 pc(s).	9672.162
12 (300)	–	1 pc(s).	9672.163
16 (400)	–	1 pc(s).	9672.164
24 (600)	–	1 pc(s).	9672.166
24 (600)	■	1 pc(s).	9672.167
32 (800)	–	1 pc(s).	9672.168
32 (800)	■	1 pc(s).	9672.169
39 (1000)	–	1 pc(s).	9672.160
63 (1600)	–	1 pc(s).	9672.176
71 (1800)	–	1 pc(s).	9672.178
79 (2000)	–	1 pc(s).	9672.170

For enclosure width 32" (800 mm)

Height inches (mm)	With viewing window	Packs of	Model No.
6 (150)	–	1 pc(s).	9672.181
8 (200)	–	1 pc(s).	9672.182
12 (300)	–	1 pc(s).	9672.183
16 (400)	–	1 pc(s).	9672.184
24 (600)	–	1 pc(s).	9672.186
24 (600)	■	1 pc(s).	9672.187
32 (800)	–	1 pc(s).	9672.188
39 (1000)	–	1 pc(s).	9672.180
63 (1600)	–	1 pc(s).	9672.196
71 (1800)	–	1 pc(s).	9672.198
79 (2000)	–	1 pc(s).	9672.190



Doors/Locks

Expansion accessories for TS modular front design



Perforated mounting strips

for partial doors

For retro-fitting. The perforated mounting strips have a 25 mm hole pattern and can be used for individual mountings on the rear of the door, e.g. cable ducts, conduit holders etc.

Hole diameter of the perforated mounting strip: 4.5 mm

Material:

– Carbon steel, 1 mm

Surface finish:

– Zinc-plated

Supply includes:

– Assembly components

For enclosure width inches (mm)	Length inches (mm)	For partial door height inches (mm)	Packs of	Model No.
16 (400)	12 (298)	6 – 32 (150 – 800)	10 pc(s).	9671.204
24 (600)	20 (498)	6 – 32 (150 – 800)	10 pc(s).	9671.206
32 (800)	27 (698)	6 – 32 (150 – 800)	10 pc(s).	9671.208



Front trim panels, top

for TS

To blank off the top of the modular front when partial doors are used. The front trim panels can be removed from the outside by undoing the screws. The cross member required for mounting is included with the supply for the relevant partial door.

Material:

– Carbon steel, 2 mm

Surface finish:

– Textured paint

Color:

– RAL 7035

Protection category IP to IEC 60 529:

– IP 54

Supply includes:

– Assembly components

Height inches (mm)	For enclosure width inches (mm)	Packs of	Model No.
4 (100)	16 (400)	1 pc(s).	9672.314
12 (300)	16 (400)	1 pc(s).	9672.324
4 (100)	24 (600)	1 pc(s).	9672.316
12 (300)	24 (600)	1 pc(s).	9672.326
4 (100)	32 (800)	1 pc(s).	9672.318
12 (300)	32 (800)	1 pc(s).	9672.328

Expansion accessories for TS modular front design

Front trim panels, bottom

for TS

To blank off the bottom of the modular front when partial doors are used. The front trim panels can be removed from the outside by undoing the screws.

Material:

– Carbon steel, 2 mm

Surface finish:

– Textured paint

Color:

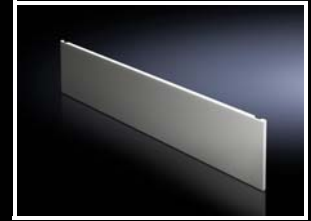
– RAL 7035

Supply includes:

– Front trim panel incl. cross member
– Assembly components

Protection category IP 54

Height inches (mm)	For enclosure width inches (mm)	Packs of	Model No.
4 (100)	16 (400)	1 pc(s).	9672.334
12 (300)	16 (400)	1 pc(s).	9672.344
4 (100)	24 (600)	1 pc(s).	9672.336
12 (300)	24 (600)	1 pc(s).	9672.346
4 (100)	32 (800)	1 pc(s).	9672.338
12 (300)	32 (800)	1 pc(s).	9672.348



Trim panel, hinged at the top

for TS

To install control and display components, in combination with

- Modular front design
- TS protective bar

Material:

– Carbon steel, 2 mm

Surface finish:

– Textured paint

Color:

– RAL 7035

Supply includes:

– Hinges, cam locks with double-bit insert and assembly components

Height inches (mm)	Width inches (mm)	Packs of	Model No.
12 (300)	24 (600)	1 pc(s).	8801.230
12 (300)	32 (800)	1 pc(s).	8801.240
12 (300)	47 (1200)	1 pc(s).	8801.250

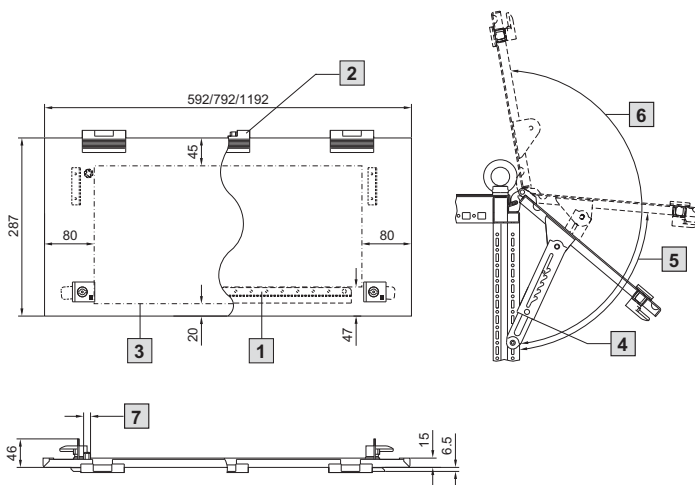
Note:

– Not in conjunction with top-mounted module for TS (see page 501)



Accessories:

- Stay for trim panel, hinged at the top, see page 472
- Lock inserts, type A, see page 488



- 1** Only for width 800 mm and 1200 mm
- 2** Only for width 1200 mm
- 3** Usable internal surface
- 4** Optional: Stay 8801.260

- 5** Max. opening angle with stay approx. 85°
- 6** Max. opening angle without stay approx. 190°
- 7** M8 grounding studs

Doors/Locks

Expansion accessories for TS modular front design



Drawer

for TS

For mouse and keyboard with a maximum width of 500/700 mm.

High level of protection, even with the flap open. Standard double-bit lock insert may be exchanged for 27 mm lock inserts, type A, plastic handles, type B, and T handle, type B.

Material:

- Carbon steel

Color:

- RAL 7035

Height inches (mm)	Width inches (mm)	Model No.
8 (200)	24 (600)	8801.715
8 (200)	32 (800)	8801.915

Supply includes:

- Flap and assembly components
- Stay



Accessories:

- Lock inserts 27 mm, type A, see page 488
- Plastic handles, type B, see page 487
- T handles, type B, see page 487



Stay

for trim panel, hinged at the top

5 hole pattern positions up to a maximum opening angle of approx. 85°.

Material:

- Carbon steel

Surface finish:

- Zinc-plated

Packs of	Model No.
2 pc(s).	8801.260